



The tailor-made enclosure

The Tarex small case allows you to implement your corporate design.

TAREX



• Unique shape and colours



Suggested designs

TAREX small case

- customized design according to your specifications
- reasonable price
- with or without ventilation
- IP 20/30 degree of protection

The customized enclosure frame helps your case stand out from the usual standard products. You choose the shape and colour and provide us with a drawing. We take care of the rest.



Specifications

Application:

Basic case for
2 100mm x 160mm Europe cards,
2 double Europe cards or customized
electronics

Construction:

Cover shell, chassis and front panel/
rear panel: sheet steel

Finish:

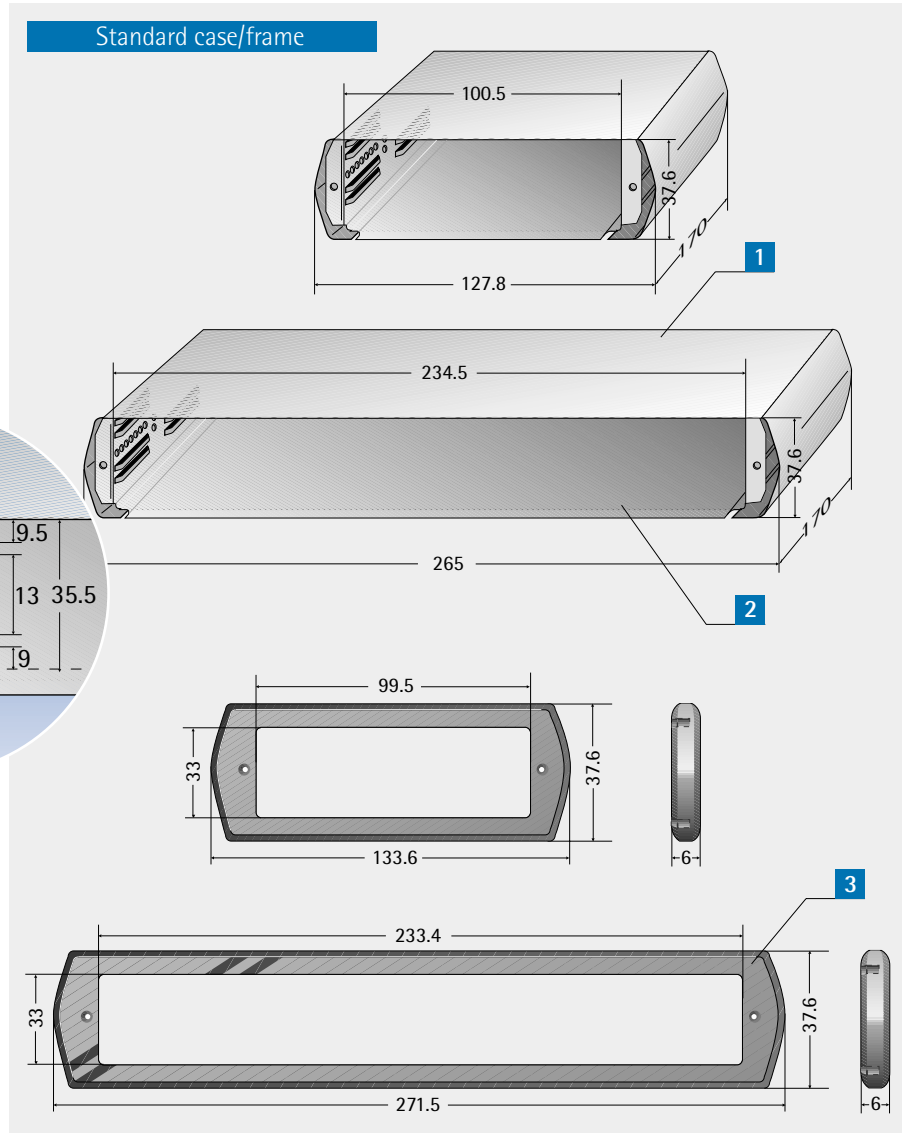
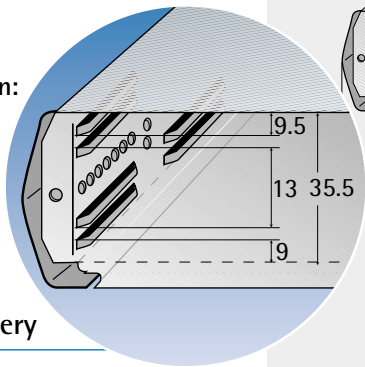
RAL 7035 light grey
Frame: black
plastic

Degree of protection:

IP 20/30

Delivery:

not assembled



Included in delivery

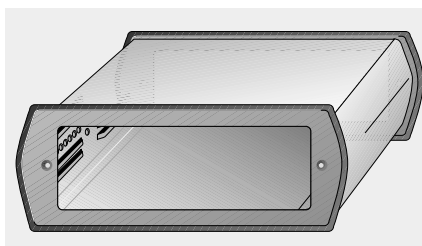
Item	Pc.	Description
1	1	Case shell
2	1	Bottom panel
3	2	Frame
4		Assembly material

Note:

Order rear panel and front panels separately. Customized treatments possible.

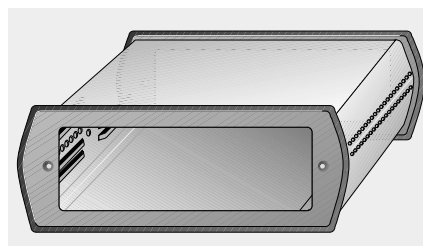
Order information

Case without vents (IP 30)



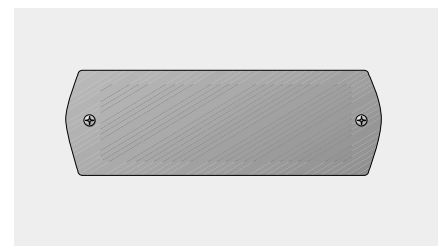
For PCB dimensions mm	Part no.
100 x 160	41-9200-00
233.35 x 160	41-9210-00

Enclosure with vents (IP 20)



For PCB dimensions mm	Part no.
100 x 160	41-9201-00
233.35 x 160	41-9211-00

Rear panel/front panel



For PCB dimensions mm	Part no.
100 x 160	41-9200-10
233.35 x 160	41-9210-10